

180W

INDUCTION SPEED CONTROL MOTOR

□ 90mm CONNECTOR TYPE

SIZE mm sq.	Motor Type	Controller Type	Poles	Output (W)	Voltage (V)	Freq. (Hz)	Duty	Speed Range (rpm)	Permissible Torque				Starting Torque		Cap. (μF)
									at 1200rpm (kg-cm) (N-m)		at 90rpm (kg-cm) (N-m)		(kg-cm)	(N-m)	
90	S9I180GB()-V12 S9I180GB()-V12(TP) S9I180GB()-V12CE	SUA180B-V12	4	180	1 ∅ 220	60	Cont.	90-1700	7.72	0.772	4.25	0.425	6.45	0.645	7.0

- ❖ CE marked at the end of motor model name indicates that it is impedance protected type which has received CE.
- ❖ TP marked at the end of the motor model name indicates that it is standard motor with Thermal Protector mounted.
- ❖ Only "H" type is applicable. Please use "H" type motor.

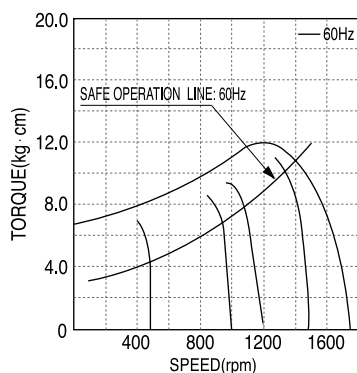
50Hz

GEAR RATIO	MODEL																								
	rpm	3	3.6	5	6	7.5	9	10	12.5	15	18	20	25	30	36	40	50	60	75	90	100	120	150	180	200
S9KH□B	kg-cm	34.0	41.0	57.0	68.0	85.1	102	113	128	153	184	204	230	278	300	300	300	300	300	300	300	300	300	300	300
	N·m	3.336	4.021	5.590	6.672	8.341	10.01	11.12	12.55	15.01	18.04	20.02	22.56	27.26	29.42	29.42	29.42	29.42	29.42	29.42	29.42	29.42	29.42	29.42	29.42

60Hz

GEAR RATIO	MODEL																								
	rpm	3	3.6	5	6	7.5	9	10	12.5	15	18	20	25	30	36	40	50	60	75	90	100	120	150	180	200
S9KH□B	kg-cm	28.1	34.0	47.0	57.0	71.0	84.2	94.0	105	126	152	168	189	227	273	300	300	300	300	300	300	300	300	300	300
	N·m	2.756	3.334	4.609	5.590	6.963	8.257	9.218	10.30	12.39	14.91	16.51	18.58	22.29	26.75	29.42	29.42	29.42	29.42	29.42	29.42	29.42	29.42	29.42	29.42

- ❖ The code in □ of gearhead model is for gear ratio.
- ❖ It is the ambient torque of the assembled motor and gearhead.
- ❖ The permissible torque of the motor and inter-decimal gearhead is 50 kg-cm.
- ❖ ■ color indicates that the output shaft of the geared motor rotates in the same direction as the output shaft of the motor. Others indicate rotation in the opposite direction.
- ❖ Rpm is based on synchronous speed (50Hz: 1500rpm, 60Hz: 1800rpm) divided by gear ratio. The actual rotation speed can be 2~20% less than displayed value depending on the load.
- ❖ Only "H" type is applicable. Please use "H" type motor.

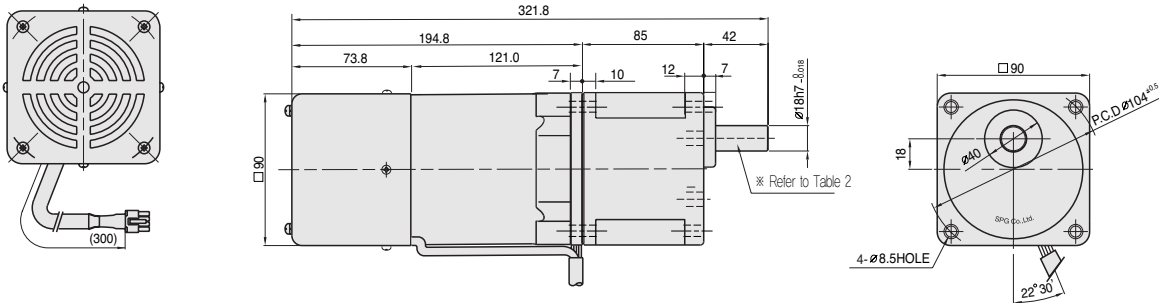


▲ S9I180GB()-V12
S9I180GB()-V12(TP)
S9I180GB()-V12CE

DIMENSIONS

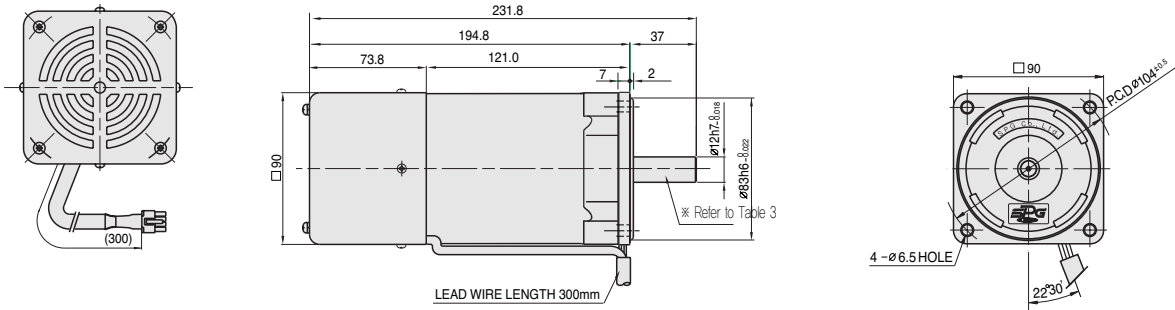
+ GEARED MOTOR

- * MOTOR MODEL : S9I180G□-V12
- * HEAD MODEL : S9□H3B~S9□H200B



+ MOTOR

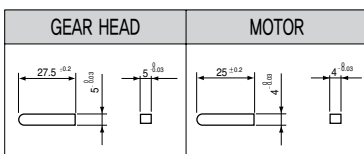
- * MOTOR MODEL : S9I180□-V12



+ WEIGHT - (Table 1)

PART		WEIGHT(kg)
MOTOR		4.30
GEAR HEAD	S9□H3B ~S9□H10B	1.65
	S9□H12.5B ~S9□H20B	1.80
	S9□H25B ~S9□H60B	1.90
	S9□H75B ~S9□H200B	1.95

+ KEY SPEC



+ SPEC for output shaft of gearhead - (Table 2)

MODEL	TYPES OF OUTPUT SHAFT
STRAIGHT TYPE	
S9SH3B ~S9SH200B	
D-CUT TYPE	
S9DH3B ~S9DH200B	
KEY TYPE	
S9KH3B ~S9KH200B	

+ SPEC for output shaft of motor - (Table 3)

MODEL	TYPES OF OUTPUT SHAFT
GEAR TYPE	
S9I180G□-V12	
STRAIGHT TYPE	
S9I180S□-V12	
D-CUT TYPE	
S9I180D□-V12	
KEY TYPE	
S9I180K□-V12	