



40W

INDUCTION MOTOR, REVERSIBLE MOTOR
 □ 90mm TERMINAL BOX TYPE

INDUCTION MOTOR - CONTINUOUS RATING

SIZE mm sq.	Type	Poles	Output (W)	Voltage (V)	Frequency (Hz)	Duty	Rated Load				Starting Torque		Capacitor (uF)	
							Current (A)	Speed (rpm)	Torque (kg-cm) (N-m)		(kg-cm)	(N-m)		
90	S9I40GA()-T S9I40GA()-T1	4	40	1 ∅ 110	60	Cont.	0.82	1600	2.50	0.250	2.90	0.290	10.0	
	S9I40GB()-T S9I40GB()-T1	4	40	1 ∅ 220	60	Cont.	0.41	1600	2.50	0.250	2.90	0.290	2.5	
	S9I40GC()-T S9I40GC()-T1	4	40	1 ∅ 100	50 60	Cont.	0.80 0.85	1300 1550	3.10 2.60	0.310 0.260	2.40	0.240	10.0	
	S9I40GD()-T S9I40GD()-T1	4	40	1 ∅ 200	50 60	Cont.	0.41 0.43	1300 1550	3.10 2.60	0.310 0.260	2.40	0.240	2.5	
	S9I40GX()-T S9I40GX()-T1 S9I40GX()-TCE S9I40GX()-T1CE	4	40	1 ∅ 220 1 ∅ 240	50	Cont.	0.34 0.37	1250	3.15 3.35	0.320 0.355	1.80 2.10	0.180 0.210	2.0	
	S9I40GU()-T S9I40GU()-T1 S9I40GU()-TCE S9I40GU()-T1CE	4	40	3 ∅ 200	50 60	Cont.	0.36 0.33	1300 1550	3.10 2.60	0.310 0.260	6.30 5.20	0.630 0.520	—	
	S9I40GT()-T S9I40GT()-T1 S9I40GT()-TCE S9I40GT()-T1CE	4	40	3 ∅ 220	50 60	Cont.	0.39 0.33	1350 1600	3.00 2.50	0.300 0.250	7.60 6.10	0.760 0.610	—	
	S9I40GS()-T S9I40GS()-T1 S9I40GS()-TCE S9I40GS()-T1CE	4	40	3 ∅ 380	50	Cont.	0.21	1300	3.20	0.320	6.30	0.630	—	
					60		0.19	1550	2.70	0.270	4.85	0.485		
					3 ∅ 400	50	Cont.	0.21	1300	3.30	0.330	6.90		0.690
						60		0.19	1550	2.80	0.280	5.25		0.525
					3 ∅ 415	50	Cont.	0.21	1350	3.10	0.310	7.30		0.730
						60		0.19	1600	2.60	0.260	5.70		0.570
	3 ∅ 440	50	Cont.	0.21	1350	3.20	0.320	8.20	0.820					
		60		0.19	1600	2.70	0.270	6.30	0.630					

- ❖ CE marked at the end of the model name indicates that it is thermally protected type which has received CE with built-in TP.
- ❖ TP marked at the end of the model name indicates that it is standard motor with Thermal Protector mounted.
S9I40GX, S9I40GX-T, S9I40GS-T is thermally protected type with TP mounted.
- ❖ Be cautious when using a three-phase 380V motor controlled with inverter.
- ❖ () is for marking 'L' type or 'H'. 'L' should be used with gearhead 'L' and 'H' should be used with gearhead 'H'.
- ❖ For a three-phase 380V~440V motor, be cautious when using the inverter. When inverter is used, the insulation of winding becomes hot and may cause damage to motor.

REVERSIBLE MOTOR - 30MINUTES RATING

SIZE mm sq.	Type	Poles	Output (W)	Voltage (V)	Frequency (Hz)	Duty	Rated Load				Starting Torque		Capacitor (uF)
							Current (A)	Speed (rpm)	Torque		(kg-cm)	(N-m)	
									(kg-cm)	(N-m)			
90	S9R40GA()-T S9R40GA()-T1 S9R40GA()-T1(TP) S9R40GA()-T1(TP) S9R40GA()-TCE S9R40GA()-T1CE	4	40	1 ∅ 110	60	30min	1.00	1600	2.50	0.250	3.50	0.350	15.0
	S9R40GB()-T S9R40GB()-T1 S9R40GB()-T1(TP) S9R40GB()-T1(TP) S9R40GB()-TCE S9R40GB()-T1CE	4	40	1 ∅ 220	60	30min.	0.46	1600	2.50	0.250	3.50	0.350	3.5
	S9R40GC()-T S9R40GC()-T1 S9R40GC()-T1(TP) S9R40GC()-T1(TP) S9R40GC()-TCE S9R40GC()-T1CE	4	40	1 ∅ 100	50	30min.	0.84	1300	3.00	0.300	2.80	0.280	15.0
	60				1.00		1550	2.60	0.260				
	S9R40GD()-T S9R40GD()-T1 S9R40GD()-T1(TP) S9R40GD()-T1(TP) S9R40GD()-TCE S9R40GD()-T1CE	4	40	1 ∅ 200	50	30min.	0.39	1300	3.10	0.310	2.80	0.280	3.5
	60				0.47		1550	2.60	0.260				
	S9R40GE()-T S9R40GE()-T1 S9R40GE()-TCE S9R40GE()-T1CE	4	40	1 ∅ 100	50	30min.	0.86	1300	3.10	0.310	2.90	0.290	15.0
	60				1.00		1550	2.60	0.260				
	1 ∅ 115				60		1.00	1550	2.70	0.270			
	S9R40GX()-T S9R40GX()-T1 S9R40GX()-TCE S9R40GX()-T1CE	4	40	1 ∅ 220	50	30min.	0.40	1250	3.20	0.320	3.00	0.300	3.0
	1 ∅ 240						0.42		3.40	0.340			

- ❖ Appropriate capacitors shall be used according to the voltage for S9R40GE-T type since the size of the capacitor differs by different voltages. Malfunction may occur when not used properly. Capacitor for 115V will be delivered otherwise the required voltage is informed.
- ❖ CE marked at the end of the model name indicates that it is thermally protected type which has received CE. S9R40GE-TCE is available only for 115V specification.
- ❖ TP marked at the end of the model name indicates that it is standard motor with Thermal Protector mounted.
S9R40GE-T, S9R40GX-T is thermally protected type with TP mounted.
- ❖ Above data is measured with friction brake mounted.
- ❖ () is for marking 'L' type or 'H'. 'L' should be used with gearhead 'L' and 'H' should be used with gearhead 'H'.

50Hz

GEAR RATIO	3	3.6	5	6	7.5	9	10	12.5	15	18	20	25	30	36	40	50	60	75	90	100	120	150	180	200	
	MODEL rpm	500	416	300	250	200	166	150	120	100	83	75	60	50	41	37	30	25	20	16	15	12	10	8	7.5
S9KB□B()	kg-cm	8.3	9.9	13.8	16.5	20.7	24.8	27.5	34.4	41.3	49.6	49.6	62.1	74.5	89.4	99.3	100	100	100	100	100	100	100	100	100
	N-m	0.813	0.970	1.352	1.617	2.029	2.430	2.695	3.371	4.047	4.861	4.861	6.086	7.301	8.761	9.731	9.800	9.800	9.800	9.800	9.800	9.800	9.800	9.800	9.800

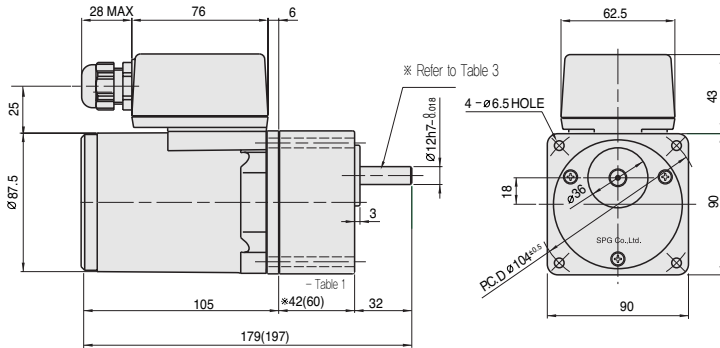
60Hz

GEAR RATIO	3	3.6	5	6	7.5	9	10	12.5	15	18	20	25	30	36	40	50	60	75	90	100	120	150	180	200
	MODEL rpm	600	500	360	300	240	200	180	144	120	100	90	72	60	50	45	36	30	24	20	18	15	12	10
S9KB□B()	kg-cm	6.8	8.2	11.3	13.6	17.0	20.4	22.7	28.4	34.0	40.8	40.9	51.1	61.3	73.6	81.8	100	100	100	100	100	100	100	100
	N-m	0.666	0.804	1.107	1.333	1.666	1.999	2.225	2.783	3.332	3.998	4.008	5.008	6.007	7.213	8.016	9.800	9.800	9.800	9.800	9.800	9.800	9.800	9.800

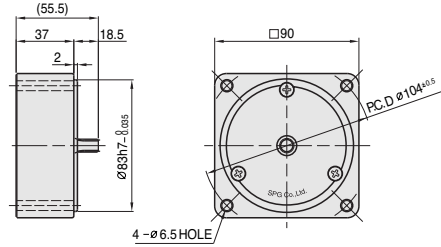
- ❖ The code in □ of gearhead model is for gear ratio.
- ❖ It is the permissible torque of the assembled motor and gearhead.
- ❖ The permissible torque of the motor and inter-decimal gearhead is 100 kg-cm.
- ❖ ■ color indicates that the output shaft of the geared motor rotates in the same direction as the output shaft of the motor.
Others indicate rotation in the opposite direction.
- ❖ Rpm is based on synchronous speed (50Hz: 1500rpm, 60Hz: 1800rpm) divided by gear ratio.
The actual rotation speed can be 2~20% less than displayed value depending on the load.
- ❖ () is for marking 'L' type or 'H'. 'L' should be used with motor 'L' and 'H' should be used with motor 'H'.

DIMENSIONS

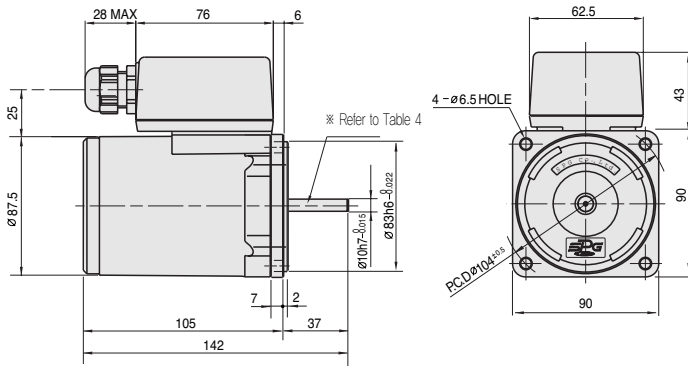
+ GEARED MOTOR * MOTOR MODEL : S9(I,R)40G□□-T
 * HEAD MODEL : S9□B3□□~S9□B200□□



+ INTER-DECIMAL GEAR HEAD
 * MODEL : S9GX10B(H,L)



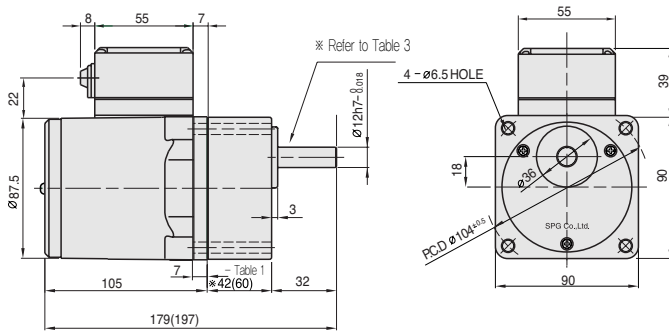
+ MOTOR * MOTOR MODEL : S9(I,R)40□□□-T



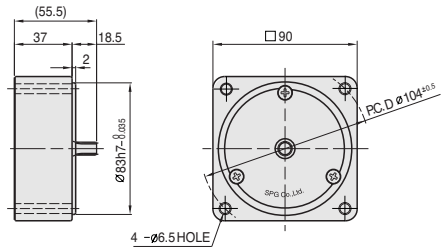
+ WEIGHT - (Table2)

PART		WEIGHT(kg)
MOTOR		2.45
REVERSIBLE MOTOR		2.50
DECIMAL GEAR HEAD		0.60
GEAR HEAD	S9□B3□□ ~S9□B18□□	0.73
	S9□B20□□ ~S9□B40□□	1.03
	S9□B50□□ ~S9□B200□□	1.13

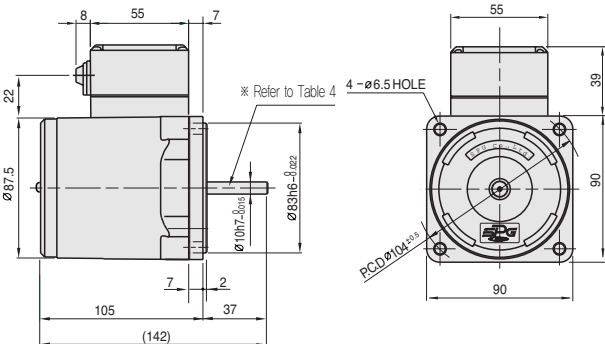
+ GEARED MOTOR * MOTOR MODEL : S9(I,R)40G□□-T1
 * HEAD MODEL : S9□B3□□~S9□B200□□



+ INTER-DECIMAL GEAR HEAD
 * MODEL : S9GX10B(H,L)



+ MOTOR * MOTOR MODEL : S9(I,R)40□□□□-T1



+ WEIGHT - (Table2)

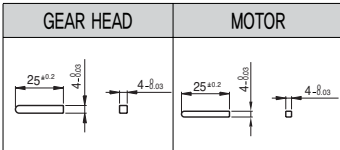
PART		WEIGHT(kg)
MOTOR		2.40
REVERSIBLE MOTOR		2.45
DECIMAL GEAR HEAD		0.60
GEAR HEAD	S9□B3□□ ~S9□B18□□	0.73
	S9□B20□□ ~S9□B40□□	1.03
	S9□B50□□ ~S9□B200□□	1.13

DIMENSIONS

※42(60) - (Table 1)

GEAR RATIO	SIZE(mm)
S9□B3□□ ~ S9□B18□□	42
S9□B20□□ ~ S9□B200□□	60

KEY SPEC



SPEC for output shaft of gearhead - (Table 3)

MODEL	TYPES OF OUTPUT SHAFT
STRAIGHT TYPE	
S9SB3□□ ~ S9SB200□□	
D-CUT TYPE	
S9DB3□□ ~ S9DB200□□	
KEY TYPE	
S9IRB3□□ ~ S9IR200□□	

SPEC for output shaft of motor - (Table 4)

MODEL	TYPES OF OUTPUT SHAFT
GEAR TYPE	
S9(I,R)40G□□-T S9(I,R)40G□□-T1	
STRAIGHT TYPE	
S9(I,R)40S□□-T S9(I,R)40S□□-T1	
D-CUT TYPE	
S9(I,R)40D□□-T S9(I,R)40D□□-T1	
KEY TYPE	
S9(I,R)40K□□-T S9(I,R)40K□□-T1	

SCHEMATIC DIAGRAMS

The direction of motor rotation is as viewed from the front shaft end of the motor.
Circled number is the terminal number inside terminal box.

INDUCTION MOTOR

S9140GA()-T S9140GB()-T S9140GC()-T S9140GD()-T S9140GA()-T1 S9140GB()-T1 S9140GC()-T1 S9140GD()-T1		S9140GX()-T S9140GX()-TCE S9140GX()-T1 S9140GX()-T1CE		S9140GU()-T S9140GT()-T S9140GU()-T1 S9140GT()-T1		S9140GU()-TCE S9140GU()-T1CE		S9140GT()-TCE S9140GT()-T1CE	
CW	CCW	CW,CCW	CW	CCW	CW	CCW	CW	CCW	

REVERSIBLE MOTOR

S9140GS()-TCE S9140GS()-T S9140GS()-T1CE S9140GS()-T1		S9R40GA()-T, S9R40GB()-T S9R40GA()-T1, S9R40GB()-T1 S9R40GC()-T, S9R40GD()-T S9R40GC()-T1, S9R40GD()-T1		S9R40GX()-T, S9R40GX()-TCE S9R40GX()-T1, S9R40GX()-T1CE		S9R40GA()-T(TP), S9R40GB()-T(TP), S9R40GC()-T(TP), S9R40GD()-T(TP), S9R40GA()-T1(TP), S9R40GB()-T1(TP), S9R40GC()-T1(TP), S9R40GD()-T1(TP), S9R40GA()-TCE, S9R40GB()-TCE, S9R40GC()-TCE S9R40GD()-TCE, S9R40GE()-T, S9R40GE()-TCE S9R40GA()-T1CE, S9R40GB()-T1CE, S9R40GC()-T1CE S9R40GD()-T1CE, S9R40GE()-T1, S9R40GE()-T1CE	
CW	CCW	CW,CCW	CW,CCW	CW,CCW			

Change the direction of motor rotation only after the motor stops completely. If an attempt is made to change the direction of rotation while the motor is running, the motor may ignore the reversing command or change its direction of rotation after some delay.